

Technical Data

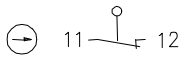
Safety switch

Series ASI-SLK – with separate actuator

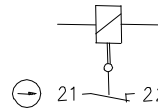
Description **ASI-SLK-F-R1-A0-0**

Article number **6073200058**

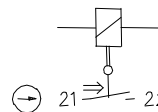
Position monitoring of guard



Electromagnet with contact position without current

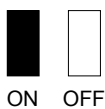
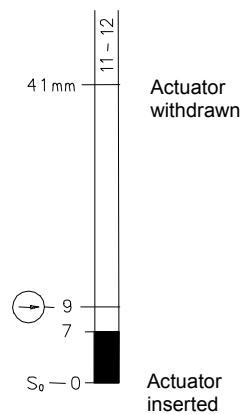


Electromagnet with current

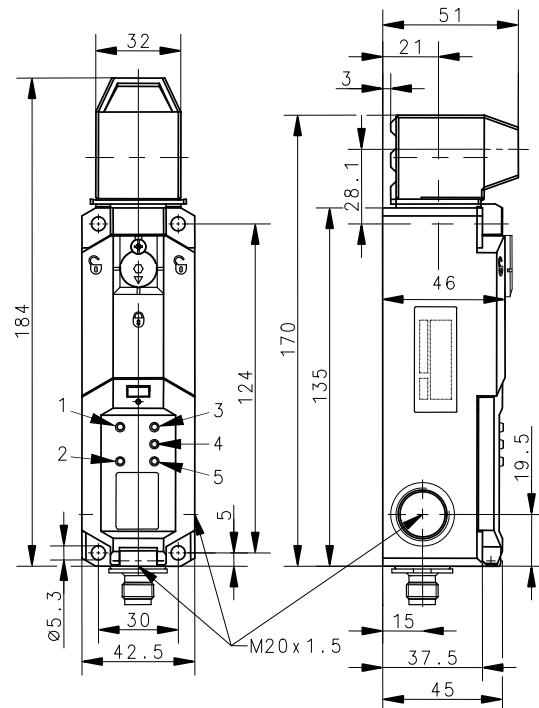


The actuator is not included in the scope of delivery. It can be ordered separately.

Operating diagram



Tolerances
Actuating force: $\pm 15\%$



Electrical data

Protection class II, totally insulated

Contact elements

Direct opening action \ominus according to IEC/EN 60947-5-1, Annex K

Electro magnets

Auxiliary supply DC 24 V $+10\%$ / -15%

Duty cycle 100 % ED

Temperature class F (155 °C)

Inrush power consumption 12 VA (0,2 s)

Permanent power consumption 4,4 VA

Switch operations permanent 600/h

This document will not become the contractual basis; the details included herein do not constitute any descriptions of expected conditions, so that warranties/claims for defects on account of possible variations of the actual qualities from the qualities described herein are explicitly excluded. All rights reserved. Specifications subject to change without notice!

Date of issue: 12.12.2012 / Page 1 of 3
Document : 6073200058_en.doc / Last update: 2 / 2560-12

Technical Data

Safety switch

AS-Interface Data		
Operating voltage	U	26,5 ... 31,6 V; via AS-interface, reverse-polarity proof
Operating current	I	< 50mA
AS-i Specifications		Profil S-7.B
		IO-Code: 0x7 ID-Code: 0xB
		ID-Code1: 0xF ID-Code2: 0xE
AS-i Inputs		Actuator contact: Date bits D0/D1 = static 00 or dynamic code transmission
		Locking contact: Date bits D2/D3 = static 00 or dynamic code transmission
AS-i Outputs		D0 Electromagnet, 1 = Magnet with current
		D1 LED 4 green, 1 = LED on*
		D2 LED 5 green, 1 = LED on*
		D3 *1 = D1 and D2 control LED 4 and LED 5 0 = D1 and D2 no function
		LED 4 = actuator
		LED 5 = locking
Parameter bits		no function
AS-i Address		preset address: 0
Mechanical data		
Enclosure		Thermoplastic GV (UL94-V0)
Cover		Thermoplastic GV (UL94-V0)
Actuating head		Thermoplastic GV / Zn-GD
Actuator		Separate actuator (St / PA)
	Minimum actuating radius	R_{min} see separate actuators data sheet
	Velocity for actuating	V_{max} 0,5 ^m /s
	Extraction force	≥ 27 N
Interlocking principle		Spring force
Unlocking		Magnetic force
Hold on force	F_{Zh}	≤ 1500 N acc. to GS-ET-19
Ambient air temperature		-25 °C ... +60 °C
Contact type		1 NC (slow break contact element)
Mechanical life		1 x 10 ⁶ switching cycles (at max. 600 switch operations / h)
Assembly		4 x M5
Connection		Plug connection M12 male
Plug connection		1: AS-i + 2: auxiliary supply 0V 3: AS-i - 4: auxiliary supply 24V
Weight		≈ 0,34 kg
Installation position		operator definable
Protection type		IP67 acc. to IEC/EN 60529

This document will not become the contractual basis; the details included herein do not constitute any descriptions of expected conditions, so that warranties/claims for defects on account of possible variations of the actual qualities from the qualities described herein are explicitly excluded. All rights reserved. Specifications subject to change without notice!

Actuation

4 different actuating directions achievable by rotating the actuating head.
Changing between horizontal and vertical actuating direction by setting the actuating head in the requested direction.

Standards

VDE 0660 T100, DIN EN 60947-1, IEC 60947-1
VDE 0660 T200, DIN EN 60947-5-1, IEC 60947-5-1
GS-ET-19, EN 50295, EN ISO 13849-1

EU Conformity

acc. To Directive 2004 / 108 / EC

Safety Classification

according 13849-1 to PL e
MTTFd = high
PFD = $2,49 * 10^{-10}$

Approvals

TÜV NORD

Notes

The degree of protection specified (IP code) applies only to a properly closed cover and the use of an equivalent connector

The switch may not be used as a mechanical stop.

When power is removed from the electromagnet (solenoid) the safety guard will be in locked position.